

AXIS P5534 PTZ Dome Network Camera

HDTV pan/tilt/zoom camera with 18x zoom for indoor applications.



- > HDTV 720p and H.264
- > IP51-rated protection against dust and dripping water
- > High Power over Ethernet (IEEE 802.3at)
- > 18x optical zoom
- > Advanced Gatekeeper functionality

AXIS P5534 PTZ Dome Network Camera offers superb HDTV-quality video and 18x zoom for indoor surveillance applications. With an IP51-rated protection against dust and dripping water, it is ideal for use at airports, train stations, warehouses, shops and schools.

AXIS P5534 provides HDTV 720p in compliance with SMPTE 296M standard of 1280 x 720 pixel resolution, full frame rate, HDTV color fidelity and a 16:9 format. The camera has day and night functionality for high image quality in low light conditions. It can also deliver multiple H.264 and Motion JPEG streams simultaneously. H.264 greatly optimizes bandwidth and storage without compromising image quality.

The camera's IP51 rating ensures reliable operation even in dusty and potentially wet indoor conditions. Support for High Power over Ethernet also makes installation easy since only one cable is needed for carrying power, video and PTZ commands. A High PoE midspan is supplied with the camera.

The PTZ camera provides 18x optical and 12x digital zoom with autofocus. It can pan 360° due to the unique Auto-flip functionality, which allows the camera to simulate a continuous pan.

AXIS P5534 offers the Advanced Gatekeeper functionality, which enables the camera to automatically move to a preset position when motion is detected in a pre-defined area and return to the home position after a set time. Other features include two-way audio and audio detection, in addition to four configurable inputs/outputs for connection to external devices such as sensors and relays. Local storage with SD/SDHC memory card is also supported.



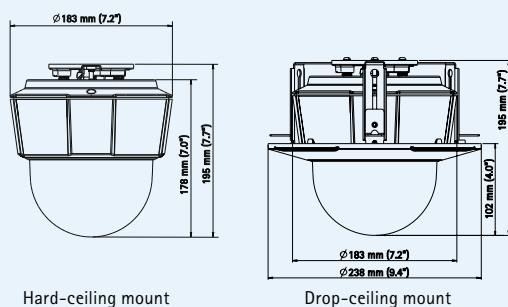
Technical specifications – AXIS P5534 PTZ Dome Network Camera

Camera		System integration	
Models	AXIS P5534 60 Hz; AXIS P5534 50 Hz	Application Programming Interface	Open API for software integration, including VAPIX® from Axis Communications, available at www.axis.com Support for AXIS Video Hosting System (AVHS) with One-Click Camera Connection
Image sensor	1/3" Progressive scan CCD 1.3 Megapixel	Intelligent video	Video motion detection, audio detection
Lens	Zoom 4.7 – 84.6 mm, F1.6 – 2.8, autofocus, automatic day/night Horizontal angle of view: 3.2° – 55.2°	Alarm triggers	Intelligent video, external input, PTZ position, temperature, memory card full
Minimum illumination	Color: 0.74 lux at 30 IRE F1.6 B/W: 0.04 lux at 30 IRE F1.6	Alarm events	File upload via FTP, HTTP and email Notification via email, HTTP and TCP External output, PTZ position, local storage, play audio clip
Shutter time	1/10 000 s to 1/4 s	Video buffer	96 MB pre- and post-alarm
Pan/Tilt/Zoom	E-flip, Auto-flip, 100 preset positions Pan: 360° (with auto-flip), 0.2° – 300°/s Tilt: 180°, 0.2° – 300°/s 18x optical zoom and 12x digital zoom, total 216x zoom Advanced Gatekeeper, guard tour, control queue On-screen directional indicator	General	
Video		Casing	IP51-rated, metal casing (aluminum), acrylic (PMMA) clear dome
Video compression	H.264 (MPEG-4 Part 10/AVC) Motion JPEG	Processors and memory	ARTPEC-3, 256 MB RAM, 128 MB Flash
Resolutions	HDTV 720p 1280x720 to 320x180	Power	High Power over Ethernet IEEE 802.3at AXIS T8123 High PoE Midspan 1-port included: 100–240 V AC 24–34 V DC, max. 17 W; 20–24 V AC, max. 23.6 VA
Frame rate	H.264: Up to 30/25 fps (60/50 Hz) in all resolutions Motion JPEG: Up to 30/25 fps (60/50 Hz) in all resolutions	Connectors	RJ-45 for 10BASE-T/100BASE-TX PoE Multi-connector (cable not included) for power in, 4 configurable alarm inputs/outputs, mic in, line mono input, line mono output to active speaker
Video streaming	Multiple, individually configurable streams in H.264 and Motion JPEG Controllable frame rate and bandwidth VBR/CBR H.264	Local storage	SD/SDHC memory card slot (card is not included)
Image settings	Manual shutter time, compression, color, brightness, sharpness, white balance, exposure control, exposure zones, backlight compensation, fine tuning of behavior at low light, rotation, text and image overlay, privacy mask, image freeze on PTZ	Operating conditions	0 °C to 50 °C (32 °F to 122 °F) Humidity 20 – 80% RH (non-condensing)
Audio		Approvals	EN 55022 Class B, EN 61000-3-2, EN 61000-3-3, EN 61000-6-1, EN 61000-6-2, EN 55024, FCC Part 15 Subpart B Class B, ICES-003 Class B, VCCI Class B, C-tick AS/NZS CISPR 22, EN 60950-1, KCC Class B IEC 60721-4-3 Class 3K3, 3M3, EN/IEC 60068-2 Midspan: EN 60950-1, GS, UL, cUL, CE, VCCI, CB, KCC
Audio streaming	Two-way	Weight	Camera: 1.9 kg (4.2 lb.) Camera with drop-ceiling mount: 2.3 kg (5.1 lb.)
Audio compression	AAC-LC 8/16 kHz, G.711 PCM 8 kHz, G.726 ADPCM 8 kHz Configurable bit rate	Included accessories	AXIS T8123 High PoE Midspan 1-port, mounting kit for hard and drop ceilings, clear and smoked dome cover, Installation Guide, CD with User's Manual, recording software, installation and management tools, Windows decoder 1-user license
Input/output	Requires multi-connector cable (not included) for external microphone input or line input and line output	Video management software (not included)	AXIS Camera Station and video management software from Axis' Application Development Partners. For more information, see www.axis.com/products/video/software/
Network			
Security	Password protection, IP address filtering, HTTPS* encryption, IEEE 802.1X* network access control, digest authentication, user access log		
Supported protocols	IPv4/v6, HTTP, HTTPS*, SSL/TLS*, QoS Layer 3 DiffServ, FTP, SMTP, Bonjour, UPnP, SNMPv1/v2c/v3 (MIB-II), DNS, DynDNS, NTP, RTSP, RTP, TCP, UDP, IGMP, RTCP, ICMP, DHCP, ARP, SOCKS		

* This product includes software developed by the OpenSSL Project for use in the OpenSSL Toolkit. (www.openssl.org)

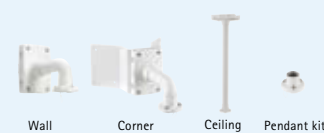
More information is available at www.axis.com

Dimensions



Optional accessories

AXIS T91A Brackets for indoor installation



AXIS 295 Video Surveillance Joystick



AXIS T90A Illuminators



Multi-connector cable for power in, I/Os and audio



Outdoor kit

AXIS T95A Series Dome Housing



Pre-configured outdoor-ready kit that includes AXIS P5534 and housing. For brackets, visit www.axis.com

INFORMATION & IMAGE MANAGEMENT SYSTEMS, S.A.

Valencia, 279, 7ª planta
08009 Barcelona (España)
<http://www.ims.es>



Tel. (34) 93 272 33 00
Fax (34) 93 487 39 00
e-mail: info@ims.es

