

AXIS 211W Network Camera

*Flexible wireless video surveillance
with superior image quality*



AXIS 211W is a high performance network camera for professional video surveillance in locations such as retail stores, offices, hotels and university campuses. Designed for flexibility and ease of installation, it offers both wireless and wired connection to the network.



SUPERIOR IMAGE QUALITY >

AXIS 211W, with progressive scan and 30 frames per second in VGA resolution, offers the high image quality customers have come to expect from Axis products.

SIMULTANEOUS MOTION JPEG AND MPEG-4 >

Simultaneous Motion JPEG and MPEG-4 video streams allow for optimization of both image quality and bandwidth efficiency.

FLEXIBLE INSTALLATION WITH WIRELESS CAPABILITY >

For optimal installation flexibility, AXIS 211W offers either a wireless IEEE 802.11g/b connection to the network or a wired Ethernet connection supporting Power over Ethernet. The camera only needs one outlet; either power or network.

SECURE COMMUNICATION >

AXIS 211W includes Enterprise and Personal Wi-Fi Protected Access (WPA/WPA2) for secure wireless communication, and HTTPS encryption as well as IEEE 802.1X access control for both wireless and wired connection to the network.

OUTDOOR OPTION >

The AXIS 211W bundle, including outdoor antenna and housing, is the perfect choice for outdoor installations where power but no network connection is available.

AXIS[®]
COMMUNICATIONS

FLEXIBLE VIDEO SURVEILLANCE WITH WIRELESS NETWORK CAPABILITIES

AXIS 211W Network Camera is a high-performance camera designed for professional video surveillance, offering the choice of either a wireless or a wired connection to the network. In addition to its flexible installation options, AXIS 211W provides superior image quality thanks to its progressive scan sensor and advanced image processing. This makes AXIS 211W ideal for the video surveillance of locations such as retail stores, offices, hotels and university campuses.



SUPERIOR IMAGE QUALITY

PROGRESSIVE SCAN

With traditional interlaced scanning NTSC/PAL techniques, every image consists of two frames that are captured one after the other and merged together. This results in degraded quality when freezing the image. AXIS 211W instead uses progressive scan, capturing the full image at the same moment, which provides non-distorted, superior quality images with drastically reduced motion blur.



Interlaced scan, 20 ms difference between odd and even lines



AXIS 211W offers progressive scan, all lines are captured at the same time

SIMULTANEOUS MOTION JPEG AND MPEG-4

AXIS 211W offers simultaneous Motion JPEG and MPEG-4. Video streams can be optimized for image quality and bandwidth efficiency by configuration of frame rate, resolution, compression level and format – providing up to 30 frames per second in VGA resolution.

FLEXIBLE INSTALLATION

For optimal installation flexibility, AXIS 211W offers either a wireless connection to the network, or a wired connection supporting Power over Ethernet. For both of these alternative installation options, the camera only needs one outlet – either power or network – which facilitates installation or relocation, e.g. when monitoring product campaigns in a store.

WIRELESS CONNECTION

AXIS 211W provides high performing wireless transmission with a wide coverage range according to the IEEE 802.11g standard, as well as backward compatibility with IEEE 802.11b. The omni-directional indoor antenna, which is included in the AXIS 211W shipment, is exchangeable for further flexibility.

OUTDOOR OPTION

A bundle is available that includes AXIS 211W, outdoor antenna and housing. This constitutes the perfect choice for outdoor installations, for example when the camera is to be mounted on a light pole in a parking lot, where power is available but network cable installation can be cumbersome.



POWER OVER ETHERNET

Equipped with Power over Ethernet (PoE) support, AXIS 211W is capable of using the same cable for both power and video when connected to a fixed network, making installation quick and easy. The consolidation of power enables the use of a central Uninterruptible Power Supply (UPS), adding resilience to the video surveillance system.

TWO-WAY AUDIO SUPPORT

The two-way audio support includes the options of using the built-in microphone or an external audio capturing device, and connecting external speakers. This enables remote users to listen in on an area and to communicate with visitors or intruders. Axis' audio-enabled video products are capable of sending an alarm at a configurable audio detection level. Audio can be disabled when inappropriate.

ADVANCED SECURITY AND NETWORK MANAGEMENT

Axis network cameras offer a comprehensive set of network capabilities, optimizing the network video solution for security, efficiency and manageability. AXIS 211W provides the highest level of network security, including support for Enterprise or Personal Wi-Fi Protected Access (WPA/WPA2) for wireless communication, and HTTPS encryption as well as IEEE 802.1X network access control for both wireless and wired connection to the network.

IPv6 is supported in addition to IPv4, as insurance against the growing shortage of IP addresses, eliminating the need for network address translation and simplifying configuration in an IPv6-enabled network. Network utilization is optimized with the support for Quality of Service (QoS), which enables reservation of network capacity and prioritization of mission-critical surveillance in a QoS-aware network.

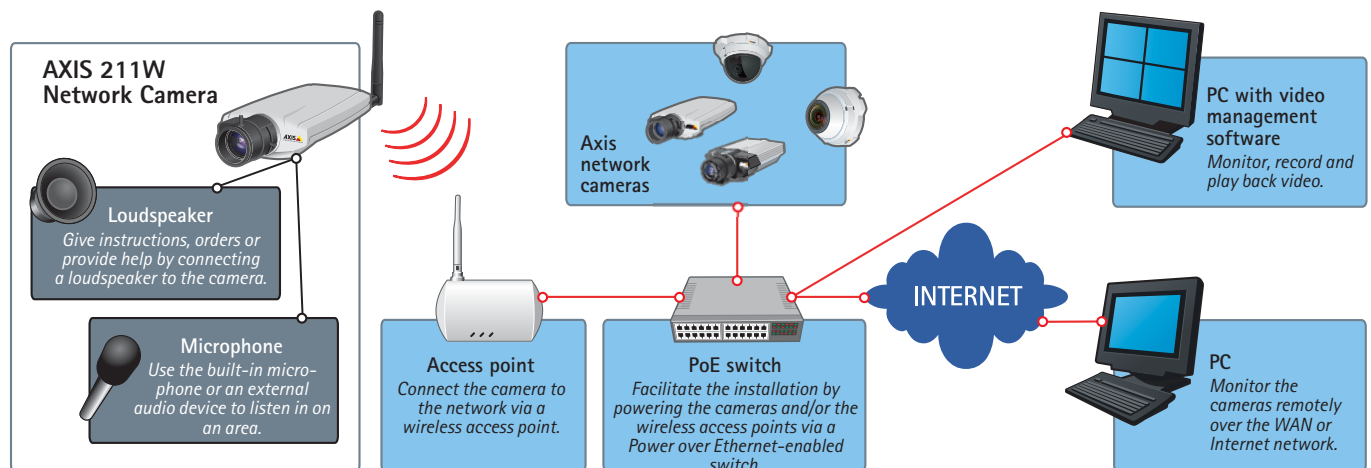
POWERFUL EVENT MANAGEMENT

Pre/post-image alarm buffering secures images just before and after an alarm. AXIS 211W is supported by AXIS Camera Station video management software, which offers remote video monitoring, recording and playback.

OPEN PROGRAMMING INTERFACE FOR CUSTOMIZED APPLICATIONS

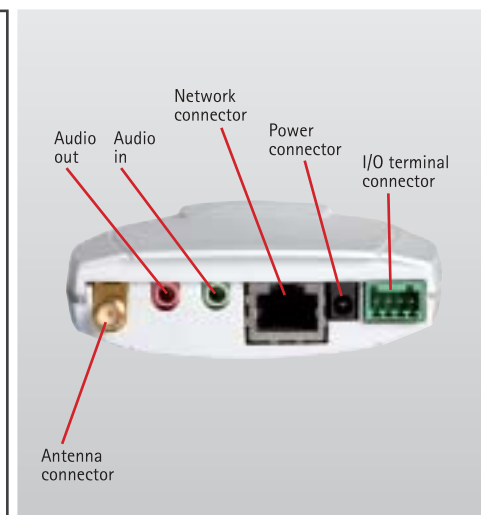
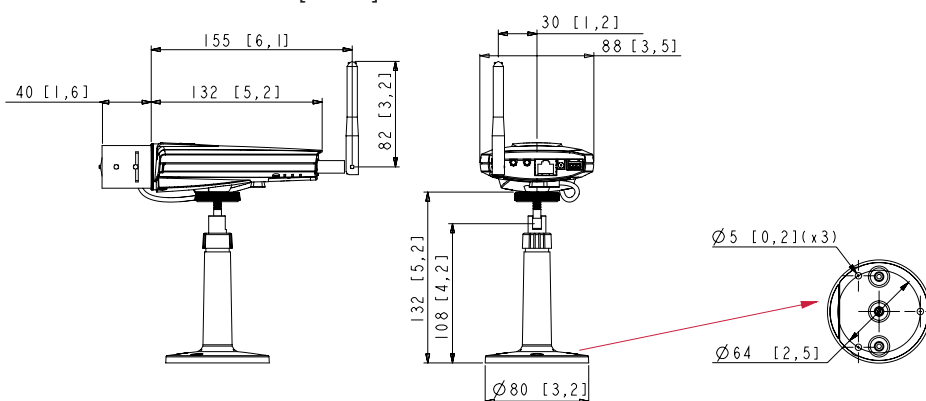
AXIS 211W supports the industry standard Axis Application Programming Interface, AXIS VAPIX™ API, which facilitates the development of customized software solutions. The API ensures compatibility with the market's widest range of third-party video management software, available from Axis Application Development Partners.

A TYPICAL INSTALLATION



DIMENSIONS

Measurements in millimeters [inches]



TECHNICAL SPECIFICATIONS – AXIS 211W NETWORK CAMERA

Image sensor	1/4" Micron Progressive Scan RGB CMOS VGA	Processors and memory	CPU, video processing and compression: ARTPEC-A RAM: 64 MB, Flash: 8 MB Battery backed-up real-time clock
Lens	Varifocal 3.0-8.0 mm, F1.0, DC-iris, CS mount	Power	7-20 V DC max 5 W Power over Ethernet IEEE 802.3af, Class 2 power classification
Angle of view	27°-67° horizontal	Operating conditions	0 - 45 °C (32 - 113 °F), humidity 20 - 80% RH
Minimum illumination	0.75 lux, F1.0	Installation, management and maintenance	AXIS Camera Management tool on CD and web-based configuration Configuration of backup and restore Firmware upgrades over HTTP or FTP, firmware available at www.axis.com
Video compression	Motion JPEG MPEG-4 Part 2 (ISO/IEC 14496-2) with motion estimation, Profiles: Simple Profile level 0-3 and Advanced Simple Profile level 0-5	Video access from web browser	Camera live view, video recording to file (ASF), sequence tour for up to 20 external Axis video sources, customizable HTML pages
Resolutions	9 resolution from 640x480 to 160x120 via API 7 selections via configuration web page	Minimum web browsing requirements	Pentium III CPU 500 MHz or higher, or equivalent AMD, 128 MB RAM, AGP graphics card 32 MB RAM, Direct Draw Windows XP, 2000, 2003 Server, DirectX 9.0 or later Internet Explorer 6.x or later For other operating systems and browsers see www.axis.com/techsup
Frame rate	Motion JPEG: Up to 30 fps in all resolutions MPEG-4: Up to 30 fps in all resolutions	System integration support	Open API for system integration including AXIS VAPIX API*, AXIS Media Control SDK*, event trigger data in video stream Quality of Service (QoS) Layer 3, DiffServ Model Embedded Linux operating system * Available at www.axis.com
Video streaming	Simultaneous Motion JPEG and MPEG-4 Controllable frame rate and bandwidth Constant and variable bit rate (MPEG-4)	Supported protocols	IPv4/v6, HTTP, HTTPS, SSL/TLS*, TCP, QoS, SNMPv1/v2c/v3 (MIB-II), RTSP, RTP, UDP, IGMP, RTCP, SMTP, FTP, ICMP, DHCP, UPnP, Bonjour, ARP, DNS, DynDNS, SOCKS, IEEE802.1X, WPA-/WPA2-PSK, WPA-/WPA2-Enterprise, EAP-TLS, EAP-PEAP/MSCHAPv2, WEP. More information on protocol usage available at www.axis.com *This product includes software developed by the Open SSL Project for use in the Open SSL Tool kit (www.openssl.org)
Image settings	Compression levels: 100 Rotation: 0°, 180° Configurable color level, brightness, sharpness, contrast, white balance, exposure control, fine tuning of behavior in low light Overlay capabilities: time, date, text, image or privacy mask	Included accessories	Power supply 9 V DC, stand, terminal connector kit, antenna, antenna connector lid, Installation Guide, CD with installation tools, recording software and User's Manual, MPEG-4 licenses (1 encoder, 1 decoder), MPEG-4 decoder (Windows)
Shutter time	1/4 s to 1/15000 s	Video management software (not incl.)	AXIS Camera Station - Video management software for viewing, recording and archiving up to 25 cameras See www.axis.com/partner/adp_partners.htm for more software applications via partners
Audio	Two-way (full and half duplex), one-way or audio off Built-in microphone, external microphone input or line input Mono audio output (line level) connects to active speaker with built-in amplifier Audio compression: AAC LC 8-32 kbit/s G.711 PCM 64 kbit/s G.726 ADPCM 32 or 24 kbit/s	Accessories (not incl.)	Housings for adverse indoor/outdoor environments Outdoor antenna Lightning protector MPEG-4 Decoder multi-user license pack
Wireless interface	IEEE 802.11g 6 - 54 Mbps IEEE 802.11b 1 - 11 Mbps Transmit power: 14 - 17 dBm* Receiver sensitivity: -90 dBm at 1 Mbps Modes: Infrastructure and ad-hoc Antenna gain: 1.5 dBi *Avg; without antenna gain	Approvals	EN301 489-1, EN301 489-17, EN300 328, FCC Part 15 Subpart B and C Class B, RSS-210, TELEC, AS/NZS 4711, MIC Power supply: EN60950-1, UL, cUL
Security	WEP 64/128 bit, WPA/WPA2-PSK, WPA/WPA2-Enterprise (EAP-TLS, EAP-PEAP/MSCHAPv2) Multiple user access levels with password protection IP address filtering HTTPS encryption IEEE 802.1X network access control	Dimensions (HxWxD) and weight	44 x 88 x 200 mm (1.7" x 3.5" x 7.9") 244 g (0.5 lb)
Users	20 simultaneous users of which 10 with audio Unlimited users using multicast (MPEG-4)		
Alarm and event management	Events triggered by video motion detection, audio detection, external input or according to a schedule Image upload over FTP, email and HTTP Notification over TCP, email, HTTP and external output Pre- and post alarm buffer: up to 36 MB (approx 5 min of 640x480 resolution video at 4 frames per sec)		
Connectors	RJ-45 for Ethernet 10BaseT/100BaseTX, Auto-MDIX Terminal block for 1 alarm input, 1 output and alternative power connection Reverse SMA for radio 3.5 mm jack for Mic or Line mono input 3.5 mm jack for Line mono output		

INFORMATION & IMAGE MANAGEMENT SYSTEMS, S.A.

Valencia, 279, 7ª planta
08009 Barcelona (España)
<http://www.ims.es>



Tel. (34) 93 272 33 00
Fax (34) 93 487 39 00
e-mail: info@ims.es