

AXIS 215 PTZ-E Network Camera

Compact, outdoor-ready pan/tilt/zoom camera.



- > Outdoor-proof
- > IP66-rated protection
- > Easy to install
- > Day and night function
- > 360° pan with Auto-flip

AXIS 215 PTZ-E Network Camera is an outdoor-ready, day and night pan/tilt/zoom camera designed for easy and cost-efficient installation in demanding indoor and outdoor environments such as parking lots, train stations and business premises.

AXIS 215 PTZ-E provides IP66-rated protection against dust and water. The built-in heaters, fans and a removable sunshield ensure that the camera can be used in varying weather conditions and temperatures ranging from -20 °C to 40 °C (-4 °F to 104 °F).

The compact camera comes with a pre-mounted wall bracket, as well as Ethernet and power cables for quick installation. A standard 1.5" NPT adapter is also included for other mounting possibilities; e.g., pendant-mounted on a ceiling.

AXIS 215 PTZ-E enables advanced, remote pan/tilt/zoom control over IP networks. It can pan 360°, thanks to the unique Auto-flip functionality that allows the camera to simulate a continuous pan beyond the mechanical stop, thereby enabling an operator to continuously follow an object.

The camera provides 12x optical and 4x digital zoom for detailed views of a zoomed-in area.

AXIS 215 PTZ-E has automatic day and night functionality with a removable IR-cut filter, providing color video when there is sufficient light and high-quality black and white video in dark conditions.

The camera supports simultaneous MPEG-4 and Motion JPEG video streams for optimization of both image quality and bandwidth efficiency.

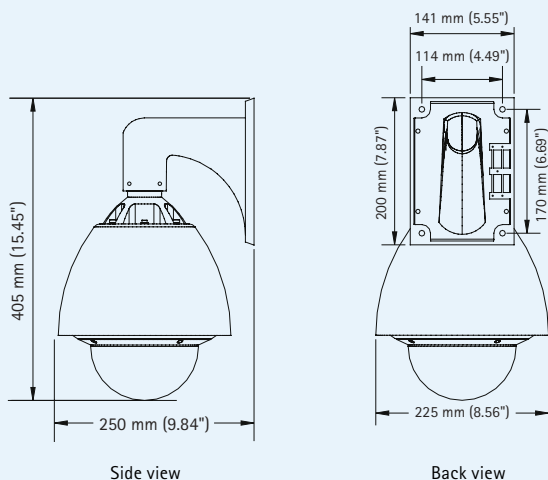


Technical specifications – AXIS 215 PTZ-E Network Camera

Camera		Network	
Models	AXIS 215 PTZ-E: 60 Hz (NTSC) AXIS 215 PTZ-E: 50 Hz (PAL)	Security	Password protection, IP address filtering, HTTPS encryption, IEEE 802.1X network access control
Image sensor	1/4" interlaced CCD	Supported protocols	IPv4/v6, HTTP, HTTPS, QoS Layer 3 DiffServ, FTP, SMTP, Bonjour, UPnP, SNMPv1/v2c/v3 (MIB-II), DNS, DynDNS, NTP, RTSP, RTP, TCP, UDP, IGMP, RTCP, ICMP, DHCP, ARP, SOCKS
Lens	3.8 – 46 mm, F1.6 – F2.7, automatic day/night, autofocus Angle of view, horizontal: 4.4° – 51.6°	System integration	
Minimum illumination	Color: 1 lux at 30 IRE, F1.6 B/W: 0.3 lux at 30 IRE, F1.6	Application Programming Interface	Open API for software integration, including VAPIX® from Axis Communications available at www.axis.com
Shutter time	NTSC: 1/50000 s to 4/3 s PAL: 1/50000 s to 8/5 s	Intelligent video	Video motion detection
Pan/Tilt/Zoom	20 preset positions Auto-flip, E-flip ±170° (360° via Auto-flip) pan range, 180°/s pan speed 180° tilt range, 140°/s tilt speed 12x optical, 4x digital zoom Control queue, image freeze, sequence mode Support Windows compatible joysticks Designed for operator control	Alarm triggers	Intelligent video
		Alarm events	File upload via FTP, HTTP and email Notification via email, HTTP and TCP
		Video buffer	9 MB pre-and post alarm
Video		General	
Video compression	MPEG-4 Part 2 (ISO/IEC 14496-2) Motion JPEG	Casing	IP66-rated, rugged aluminum casing with clear dome bubble
Resolutions	NTSC: 704x480 to 176x120 PAL: 704x576 to 176x144	Processors and memory	ETRAX FS, ARTPEC-2, 32 MB RAM, 8 MB Flash
Frame rate MPEG-4	Up to 30/25 (NTSC/PAL) in 2CIF/CIF/QCIF Up to 26/22 (NTSC/PAL) in 4CIF/2CIFExp	Power	100 – 230 V AC: 1.1 A at 110 V AC, 0.6 A at 230 V AC Pre-installed 5 m (16.4 ft.) power cable without mains plug
Frame rate Motion JPEG	Up to 30/25 (NTSC/PAL) in all resolutions	Connectors	RJ-45 for 10BASE-T/100BASE-TX Pre-installed 5 m (16.4 ft.) Cat-5e cable
Video streaming	Simultaneous MPEG-4 and Motion JPEG Controllable frame rate and bandwidth VBR/CBR MPEG-4 ISMA compatible	Operating conditions	-20 °C to 40 °C (-4 °F to 104 °F) 2 built-in heaters, 3 built-in fans
Image settings	Compression, color, brightness, sharpness, white balance, exposure control, backlight compensation, day/night Rotation 0°, 180° Aspect ratio correction Text and image overlay De-interlace (4CIF resolution)	Approvals	EN 55022 Class B, EN 55024, EN 61000-3-2, EN 61000-3-3, EN 60950-1, FCC Part 15 Subpart B Class B, ICES-003 Class B, C-tick AS/NZS 3548 Power supply: UL, CSA, CE
		Weight	4.8 kg (10.6 lb.) incl. cables, excl. wall bracket and sunshield 6.1 kg (13.4 lb.) incl. cables, wall bracket and sunshield
		Included accessories	1.5" NPT adapter, Installation Guide, CD with User's Manual, recording software, installation and management tools, Windows decoder 1-user license

More information is available at www.axis.com

Dimensions



Optional accessories

Corner mount



Pole mount



AXIS 295 Video Surveillance Joystick



AXIS T90A illuminators



For information on AXIS Camera Station and video management software from Axis' Application Development Partners, see www.axis.com/products/video/software/

INFORMATION & IMAGE MANAGEMENT SYSTEMS, S.A.

Valencia, 279, 7ª planta
08009 Barcelona (España)
<http://www.ims.es>



Tel. (34) 93 272 33 00
Fax (34) 93 487 39 00
e-mail: info@ims.es

