



Polycom® HDX 4000™ Series

Premier Personal Communication Solution



Benefits

High definition video conferencing – Natural communications in 1280 x 720 at 30fps (720p), with exceptional resolution at lower data rates

High definition voice – Polycom Siren™ 22 technology for high-fidelity stereo audio

High definition content sharing – Share graphics, presentations, and rich media content with HD and non-HD systems with the use of People+Content™, People+Content IP and People On Content collaboration technology

Large HD Display – 20.1" widescreen display for compelling presentations and life-like video conferences

Powerful HD Audio – Four powerful built-in speakers and superior microphone technology for rich stereo sound

Multipoint capabilities – An optional 4-way embedded multipoint bridge for greater flexibility in large conferences

Flexible connectivity – Optional network interfaces for easy access to your BRI, PRI or V.35 network

Key element of a total Polycom video solution – Seamlessly integrates with the Polycom RMX 2000™ conference bridge, Video Media Center™ 1000 solution, RSS™ 2000 recording and streaming server, and ReadManager® SE 200 management and scheduling application

The Ultimate in Executive Desktop Communication for High Definition Video Conferencing, Audio, and Content Sharing

Performance-engineered to deliver high-definition video and audio, the Polycom HDX 4000 desktop video conferencing series redefines the personal communication experience. Merging an extraordinary degree of visual and acoustic clarity with powerful functionality, the HDX 4000 series brings unprecedented immediacy to video conferences, audio interactions, and content exchanges.

Communicate in High Definition

The HDX 4000 series leverages decades of design innovation and the legendary quality of Polycom to deliver the premium desktop system for rich media communication. With a twenty-inch video screen, an acoustically superior stereo sound system and modern, streamlined design, the Polycom HDX 4000 series combines professional-level video conferencing with full PC and Mac monitor functionality.

Built to High-Definition TV (HDTV) industry standards, screen colors are more vibrant, movements smoother, and expressions unmistakable. Polycom HD Voice™, delivered through dual, built-in microphones, enables users to hear remote participants' voices in stereo, while advanced four-way speakers deliver astonishingly life-like audio. As a result, interactions with colleagues and partners, across campus or around the globe, are more natural than ever.

Make Content Collaboration Easier Than Ever

The HDX 4000 series also includes powerful tools for content sharing. Presentations, graphics, spreadsheets and multimedia files can be incorporated into video conferences, facilitating collaboration and quicker decision making. Additionally, with Polycom's People On Content™ embedded chroma key technology, the user's image can be inserted into the foreground of the content and appear to be part of the presentation.

Make Great Things Happen With Polycom HDX 4000 Series

In today's Internet driven world, the ability to conduct real time communication and collaboration has become critical to an organization's survival. As the market leader in voice, video, data and Web solutions, our award-winning conference technology makes it easy for people to interact and maximize productivity – over any network, in just about any environment, anywhere around the globe. That's why more organizations worldwide use and prefer Polycom conferencing solutions. Because when people work together, great things happen. See how you too, can achieve great things with Polycom HDX 4000 series.



Video Voice Data Web

Polycom HDX 4000 Series Specifications

Models

- HDX 4002™ (HD ready)
- HDX 4002 XL (includes content sharing)
- HDX 4001™ (upgradeable to HD)
- HDX 4001 XL (includes content sharing)

Video Standards & Protocols

- H.264
- H.263++
- H.261
- H.239 / People+Content
- H.263 & H.264 Video Error Concealment

People Video Resolution

- 720p, 30fps at 1Mbps–4Mbps (HDX 4002)
- 4SIF (704 x 480)/4CIF (704 x 576) at 256Kbps–1Mbps (HDX 4002)
- 4SIF (704 x 480)/4CIF (704 x 576) at 256Kbps–4Mbps (HDX 4001)
- SIF (352 x 240), CIF (352 x 288)
- QSIF (176 x 120), QCIF (176 x 144)

Supported PC Input Resolutions

- 1600x1200, 1680x1050, 1600x1000, 1400x1050, 1344x1008, 1344x840, 1280x1024, 1280x960, 1280x800, 1280x720, 1024x768, 800x600

Display

- 20.1" widescreen LCD display
- 1680 x 1050 native max resolution
- 16:9 Aspect Ratio

Camera

- 5 megapixel camera
- 1280 x 720 video capture resolution
- 65° field of view
- 2x digital zoom
- EPTZ camera control
- Privacy shutter

Speakers

- Frequency range: 85Hz - 20kHz
- Four built-in, independent speakers

Audio Standards & Protocols

- Polycom StereoSurround™
- 22kHz bandwidth with Polycom Siren 22
- 14kHz bandwidth with Polycom Siren 14, G.722.1 Annex C
- 7 kHz bandwidth with G.722, G.722.1
- 3.4 kHz bandwidth with G.711, G.728, G.729A
- Automatic Gain Control
- Automatic Noise Suppression
- Instant Adaptation Echo Cancellation
- Audio Error Concealment
- Headset input for privacy

Other ITU-Supported Standards

- H.221 communications
- H.224/H.281 far-end camera control
- H.323 Annex Q far-end camera control
- H.225, H.245, H.241, H.331
- H.239 dual stream
- H.231 in multipoint calls
- H.243 chair control
- H.460 NAT/firewall traversal
- BONDING, Mode 1

Network

- Interfaces
 - 2-port 10/100 auto NIC switch, RJ45 connectors
 - RJ11 analog phone connector
- H.323 up to 4Mbps (2 Mbps standard)
- SIP up to 4Mbps (2 Mbps standard)
- H.320
 - ISDN Quad BRI
 - ISDN PRI T1 or E1
 - Serial (RS449, V.35, RS 530) up to 2Mbps

- iPriority™ for QoS
- Reconfigurable MTU size
- Auto SPID detection and line number configuration
- Lost Packet Recovery (LPR) for QoS

User Interface

- COD (Polycom PathNavigator™ Conference on Demand)
- Directory Services
- System Management
 - Web-based
 - SNMP
 - Global Management System™
 - ReadiManager SE 200
- CDR
- API controls via Telnet
- International languages (17)

Security

- Secure Web
- Secure Telnet
- Security mode
- Embedded AES FIPS 197, H.235V3 and H.233/234
- Secure password authentication

Options

- Content sharing
 - People+Content, People+Content IP, People On Content
- MPP/us software for up to 4 sites
- 4 Mbps line rate

Electrical

- Auto sensing power supply
- Typical operating voltage/power 189VA @ 115V @ 60 Hz @ .67 PF
- Typical operating voltage/power 192VA @ 230V @ 60 Hz @ .66 PF

- Typical operating voltage/power 196VA @ 230V @ 50 Hz @ .65 PF

These numbers were empirically collected under TYPICAL operating conditions. No attempt was made to force max power consumption. Voltages and currents are RMS. Power units are Volt-Amp.

Environmental Specifications

- Operating Temperature: 0-40°C
- Operating Humidity: 10-80%
- Non-Operating Temperature: -40 o -70o C
- Non-Operating Humidity (Non-condensing): 10-90%
- Maximum altitude: 10,000 feet

Physical Characteristics

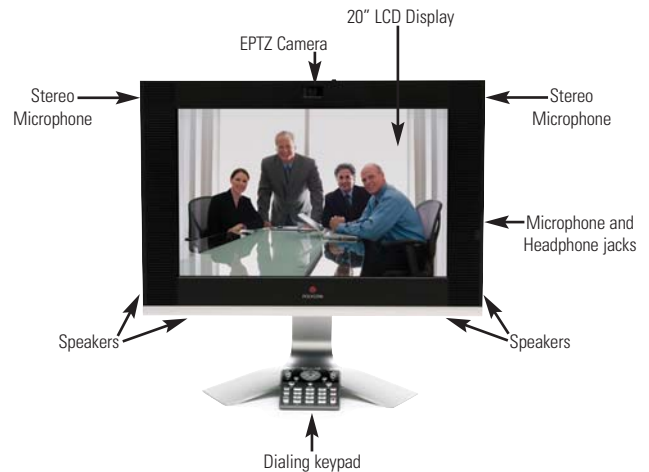
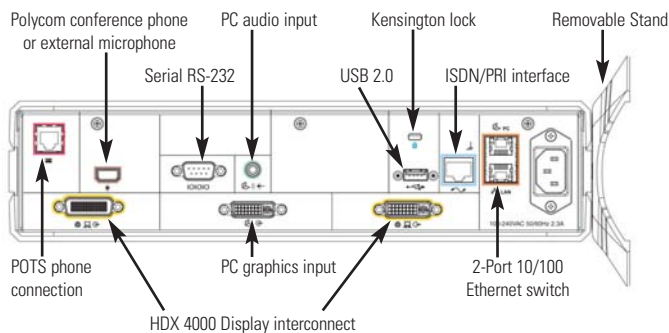
- HDX 4000 LCD with stand
 - Display: 20.1" (H) x 21.9" (W) x 9.3" (D)
 - LCD 20.1" diagonal
 - Stand: 12.8" (W) x 9.2" (D)
- HDX 4000 Base Box with removable stand
 - 13.87" (H) x 5.08" (W) x 11" (D)

Warranty

- One-year return to factory parts and labor
- 90-day software warranty

Technical Documentation

- Award-winning documentation for setting up, maintaining, and using the system
- Available at www.polycom.com/video-documentation



INFORMATION & IMAGE MANAGEMENT SYSTEMS, S.A.

Valencia, 279, 7ª planta
08009 Barcelona (España)
<http://www.ims.es>



Tel. (34) 93 272 33 00
Fax (34) 93 487 39 00
e-mail: info@ims.es